

Company

Products

BRECOFLEX[®] TIMING BELTS

News

BRECO[®] TIMING BELTS

Distribution

BRECO[®] ATN-System

Service/Downloads

Timing belts with coatings

Contact

Mechanical rework

Welded-on profiles

Components

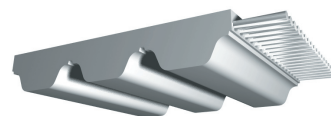
Product range



Our product range of BRECO®-TIMING BELTS

AT-Profile

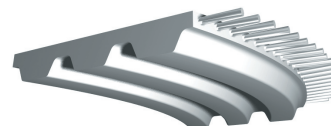
- ATL5
- ATL0
- ATL20
- AT3
- AT5
- AT10
- AT515
- AT20



Self-guiding profiles

BAT-Profile

- BAT10
- BAT15



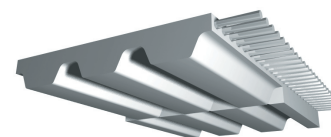
BATK-Profile

- BATK10
- BATK15



SFAT-Profile

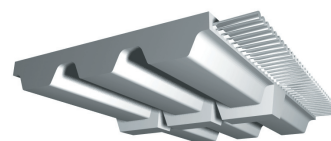
- SFAT10
- SFAT20



Self-tracking timing belts

- ATK5K6
- ATK10K6
- ATK10K13
- ATK20K13

- TK5K6
- TK10K6
- TK10K13
- TK1/2"K13



T-Profile

Metric pitch

- T2,5
- T5
- T10
- T20

inch-pitch

- T1/5"
- T3/8"
- T1/2"
- T7/8"



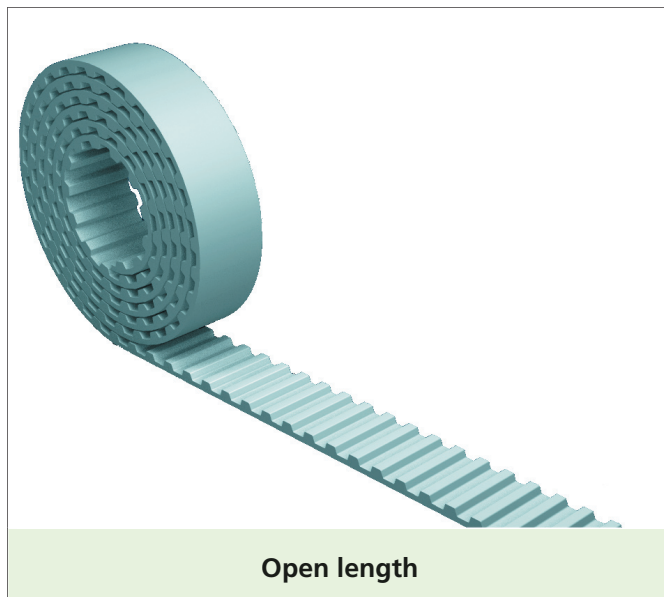
BRECO[®] TIMING BELTS

BRECO M: Open length

BRECO M: The BRECO[®] TIMING BELT is manufactured in open length. The tension members are always arranged with parallel edges. Open length is required e.g. in linear transmissions. All tension members assume part of the load.

Open length for linear transmissions

Rotary movements are converted into linear movements by linear transmissions. The BRECO[®] TIMING BELT in its open length delivery form is preferably fitted to the machine part to be moved.



BRECO V: Joined belts

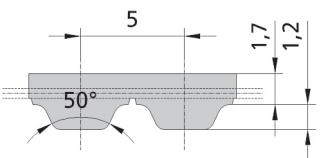
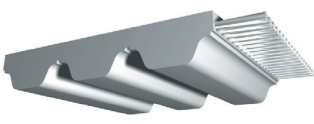
BRECO V: BRECO[®] TIMING BELTS are manufactured from open length material welded to endless belts. In the join area the half number of tension members assume part of the load. The use of endless joined BRECO[®] TIMING BELTS is preferred in the conveying technology to handle any centre distance.

Joined belts for conveying drives

Endless joined timing belts without length limitation are available. The minimum length for various belt profiles, however, is to be taken into consideration. For special requirements in transportation timing belts are coated or manufactured with flights/profiles.



ATL high performance timing belt (M)

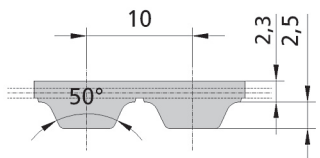
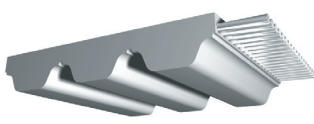
Standard	Standard
	
ATL 5	AT-profile

Belt widths b [mm] (In-between belt widths on request)			
16	25	32	50

Preferred delivery: Rolls of 50 or 100 m.
Please specify shorter dimensions (cut to length) and lengths above 100 m separately.

**Available versions
(only available in open lengths (M))**

- **ATL 5:** Standard (with E tension member)
- **PAZ:** with nylon tooth facing

Standard	Standard
	
ATL 10	AT-profile

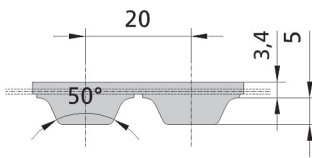

Belt widths b [mm] (In-between belt widths on request)			
32	50	75	100

Preferred delivery: Rolls of 50 or 100 m.
Please specify shorter dimensions (cut to length) and lengths above 100 m separately.

**Available versions for ATL 10
(only available in open lengths (M))**

- **ATL 10:** Standard
- **PAZ:** with nylon tooth facing

ATL high performance timing belt (M)

Standard	Standard
	
ATL 20	AT-profile

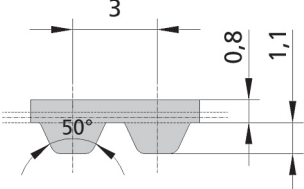

Belt widths b [mm] (In-between belt widths on request)			
32	50	75	100

Preferred delivery: Rolls of 50 m.
Please specify shorter dimensions (cut to length) and lengths above 50 m separately.

**Available versions for ATL 20
(only available in open lengths (M))**

- ATL 20: Standard
- PAZ: with nylon tooth facing

AT high performance timing belt (M/V)

Standard	Standard
	
AT 3	AT-profile

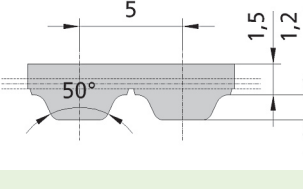

Belt widths b [mm] (In-between belt widths on request)			
8	10	20	25

Preferred delivery: Rolls of 50 and 100 m.
Please specify shorter dimensions (cut to length) and lengths above 100 m separately.

Endless joined minimum length (V): 880 mm

Available versions

- **AT 3:** Standard (with E tension member)
- **PAZ:** Nylon tooth facing

Standard	Standard
	
AT 5	AT-profile

Belt widths b [mm] (In-between belt widths on request)					
10	16	25	32	50	75

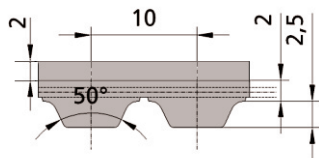
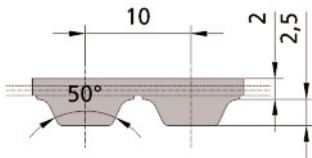

Preferred delivery: Rolls of 50 or 100 m.
Please specify shorter dimensions (cut to length) and lengths above 100 m separately.

Endless joined minimum length (V): 880 mm

Available versions

- **AT 5:** Standard (with E tension member)
- **PAZ:** Nylon facing on the tooth side (PAZ)
- **PAR:** Nylon facing on the back of the belt
- **PAZ-PAR:** Nylon facing on both sides

AT high performance timing belt (M/V)

Version T	Standard	Standard
		
AT 10-T	AT 10	AT-profile

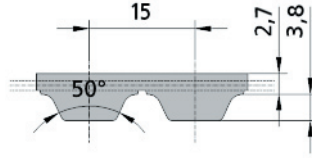

Belt widths b [mm] (In-between belt widths on request)					
25	32	50	75	100	150

Preferred delivery: Rolls of 50 or 100 m.
Please specify shorter dimensions (cut to length) and lengths above 100 m separately.

Endless joined minimum length (V):
880 mm up to width b = 100 mm
1000 mm from b > 100 mm up to b = 150 mm

Available versions

- **AT 10:** Standard
- **E:** with E tension member
- **PAZ:** Nylon facing on the tooth side (PAZ)
- **PAZ-E:** With nylon tooth facing and E tension member
- **PAR:** Nylon facing on the back of the belt
- **PAZ-PAR:** Nylon facing on both sides
- **T, T-PAZ:** Transport backing, available up to $b_{max} = 100$ mm

Standard	Standard
	
ATS 15	AT-profile

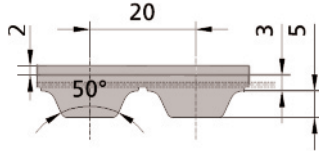
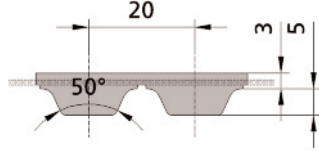

Belt widths b [mm] (In-between belt widths on request)				
25	50	75	100	150

Preferred delivery: Rolls of 50 or 100 m.
Please specify shorter dimensions (cut to length) and lengths above 50 m separately.

Available versions

- **ATS 15:** Standard
- **PAZ:** Nylon tooth facing

AT high performance timing belt (M/V)

	Standard	Standard
		
AT 20-T	AT 20	AT-profile

Belt widths b [mm] (In-between belt widths on request)				
32	50	75	100	150

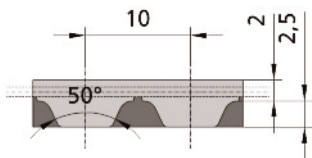

Preferred delivery: Rolls of 50 m.
Please specify shorter dimensions (cut to length) and lengths above 50 m separately.

Endless joined minimum length (V): 1000 mm

Available versions

- **AT 20:** Standard
- **PAZ:** Nylon tooth facing
- **PAR:** Nylon facing on the back of the belt
- **PAZ-PAR:** Nylon facing on both sides
- **T, T-PAZ:** Transport backing
available for a belt width up to $b_{max} = 100$ mm

Self-guiding timing belts (M/V)

Standard	Standard
	
BAT 10	BAT-profile

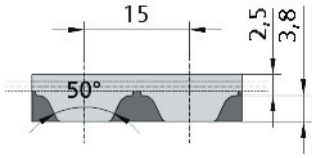

Belt widths b [mm]				
25	32	50	75	100

Preferred delivery: Rolls of 50 or 100 m.
Please specify shorter dimensions (cut to length) and lengths above 100 m separately.

Endless joined minimum length (V): 880 mm

Available types for BAT 10

- **BAT 10:** Standard
- **PAZ:** Nylon tooth facing
- **PAR:** Nylon facing on the back of the belt
- **PAZ-PAR:** Nylon facing on both sides

Standard	Standard
	
BAT 15	BAT-profile

Belt widths b [mm]		
50	75	100

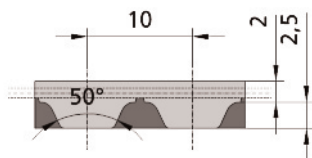

Preferred delivery: Rolls of 50 or 100 m.
Please specify shorter dimensions (cut to length) and lengths above 100 m separately.

Endless joined minimum length (V): 960 mm

Available versions for BAT 15

- **BAT 15:** Standard
- **PAZ:** Nylon tooth facing
- **PAR:** Nylon facing on the back of the belt
- **PAZ-PAR:** Nylon facing on both sides

Self-guiding timing belts (M/V)

Standard	Standard
	
BATK 10	BATK-profile

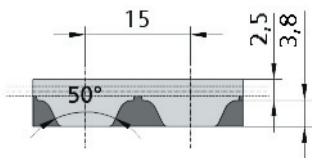

Belt widths b [mm]			
32	50	75	100

Preferred delivery: Rolls of 50 or 100 m.
Please specify shorter dimensions (cut to length) and lengths above 100 m separately.

Endless joined minimum length (V): 880 mm

Available versions

- **BATK 10:** Standard
- **PAZ:** Nylon tooth facing
- **PAR:** Nylon facing on the back of the belt
- **PAZ-PAR:** Nylon facing on both sides

Standard	Standard
	
BATK 15	BATK-profile

Belt widths b [mm]		
50	75	100

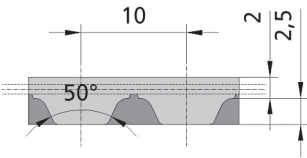

Preferred delivery: Rolls of 50 or 100 m.
Please specify shorter dimensions (cut to length) and lengths above 100 m separately.

Endless joined minimum length (V): 960 mm

Available versions

- **BATK 15:** Standard
- **PAZ:** Nylon tooth facing
- **PAR:** Nylon facing on the back of the belt
- **PAZ-PAR:** Nylon facing on both sides

Self-guiding timing belts (M/V)

Standard	Standard
	
SFAT 10	SFAT-profile

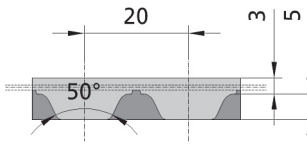

Belt widths b [mm] (In-between belt widths on request)		
50	75	100

Preferred delivery: Rolls of 50 or 100 m.
Please specify shorter dimensions (cut to length) and lengths above 100 m separately.

Endless joined minimum length (V): 880 mm

Available versions

- SFAT 10: Standard
- PAZ: Nylon tooth facing
- PAR: Nylon facing on the back of the belt
- PAZ-PAR: Nylon facing on both sides

Standard	Standard
	
SFAT 20	SFAT-profile

Belt widths b [mm] (In-between belt widths on request)		
50	75	100

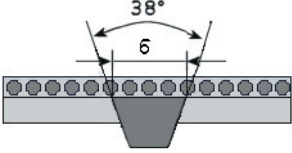
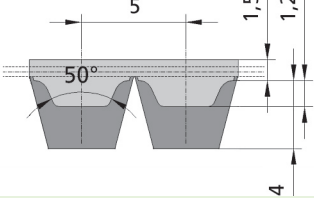
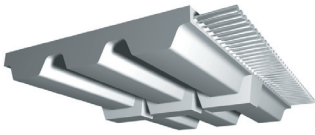
Preferred delivery: Rolls of 50 m.
Please specify shorter dimensions (cut to length) and lengths above 50 m separately.

Endless joined minimum length (V): 1500 mm

Available versions

- SFAT 20: Standard
- PAZ: Nylon tooth facing
- PAR: Nylon facing on the back of the belt
- PAZ-PAR: Nylon facing on both sides

Self-guiding timing belts (M/V)

Cross section	Standard	Standard
		
K 6	ATK 5 K6	Self-guiding timing belt

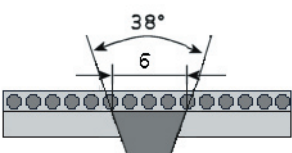
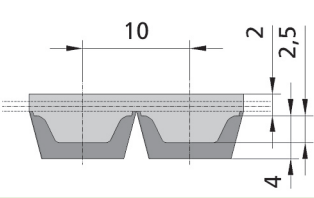

Belt widths b [mm] (In-between belt widths on request)	
32	50

Preferred delivery: Rolls of 50 or 100 m.
Please specify shorter dimensions (cut to length) and lengths above 100 m separately.

Endless joined minimum length (V): 1000 mm

Available versions for ATK5K6

- **ATK5K6:** Standard (with E tension member)
- **PAZ:** Nylon tooth facing
- **PAR:** Nylon facing on the back of the belt
- **PAZ-PAR:** Nylon facing on both sides

Cross section	Standard	Standard
		
K 6	ATK 10 K6	Self-guiding timing belt

Belt widths b [mm] (More belt widths on request)	
50	

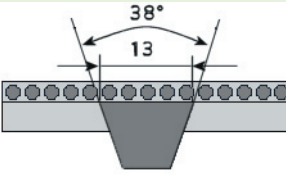
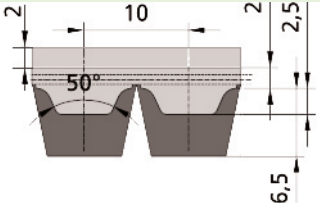
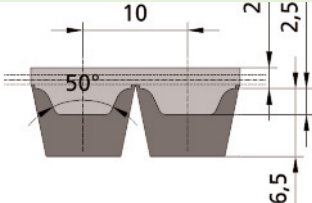
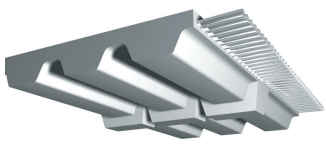
Preferred delivery: Rolls of 50 or 100 m.
Please specify shorter dimensions (cut to length) and lengths above 100 m separately.

Endless joined minimum length (V): 1000 mm

Available versions for ATK10K6

- **ATK10K6:** Standard
- **PAZ:** Nylon tooth facing
- **PAR:** Nylon facing on the back of the belt
- **PAZ-PAR:** Nylon facing on both sides

Self-guiding timing belts (M/V)

Cross section	Version T	Standard	Standard
			
K13	ATK 10 K13-T	ATK 10 K13	Self-guiding timing belt

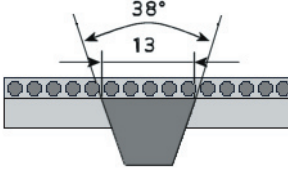
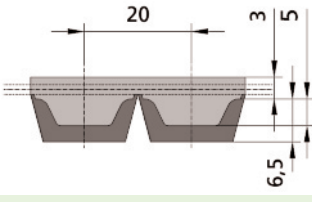
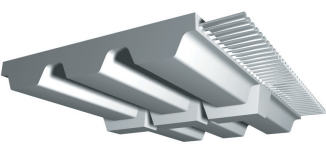
Belt widths b [mm] (In-between belt widths on request)				
32	50	75	100	150

Preferred delivery: Rolls of 50 m.
Please specify shorter dimensions (cut to length) and lengths above 50 m separately.

Endless joined minimum length (V): 1000 mm

Available versions

- **ATK10K13:** Standard
- **PAZ:** Nylon tooth facing
- **PAR:** Nylon facing on the back of the belt
- **PAZ-PAR:** Nylon facing on both sides
- **T, T-PAZ:** Transport backing, available up to $b_{max}=100$ mm

Cross section	Standard	Standard
		
K13	ATK 20 K13	Self-guiding timing belt

Belt widths b [mm] (In-between belt widths on request)	
75	100

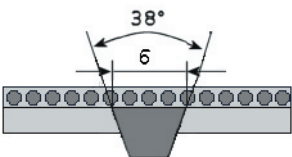
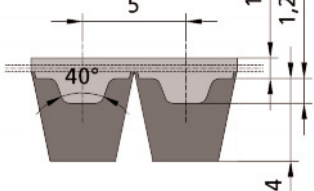
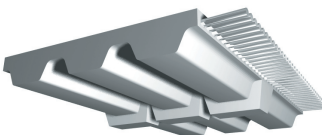
Preferred delivery: Rolls of 50 m.
Please specify shorter dimensions (cut to length) and lengths above 50 m separately.

Endless joined minimum length (V): 1000 mm

Available versions

- **ATK20K13:** Standard
- **PAZ:** Nylon tooth facing

Self-guiding timing belts (M/V)

Cross section	Standard	Standard
		
K 6	TK 5 K6	Self-guiding timing belt

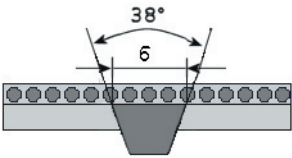
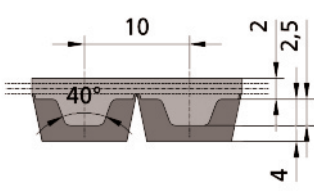
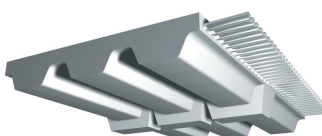
Belt widths b [mm] (More belt widths on request)		
25	32	50

Preferred delivery: Rolls of 50 or 100 m.
Please specify shorter dimensions (cut to length) and lengths above 100 m separately.

Endless joined minimum length (V): 1000 mm

Available versions

- **TK5K6:** Standard
- **PAZ:** Nylon tooth facing
- **PAR:** Nylon facing on the back of the belt
- **PAZ-PAR:** Nylon facing on both sides

Cross section	Standard	Standard
		
K 6	TK 10 K6	Self-guiding timing belt

Belt widths b [mm] (More belt widths on request)	
25	50

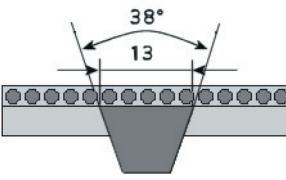
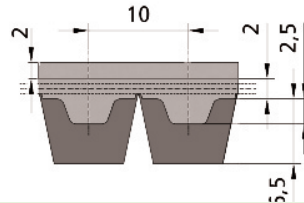
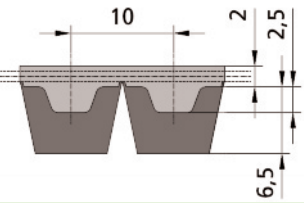
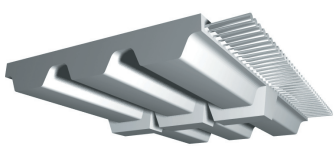
Preferred delivery: Rolls of 50 or 100 m.
Please specify shorter dimensions (cut to length) and lengths above 100 m separately.

Endless joined minimum length (V): 1000 mm

Available versions

- **TK10K6:** Standard
- **PAZ:** Nylon tooth facing
- **PAR:** Nylon facing on the back of the belt
- **PAZ-PAR:** Nylon facing on both sides

Self-guiding timing belts (M/V)

Cross section	Version T	Standard	Standard
			
K13	TK 10 K13-T	TK 10 K13	Self-guiding timing belt

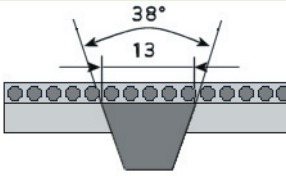
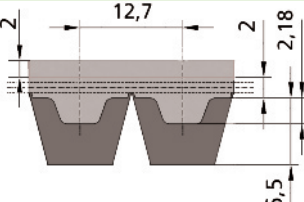
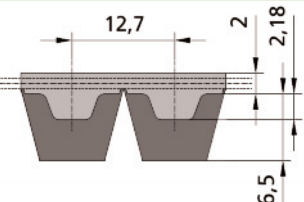
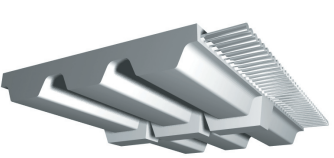
Belt widths b [mm] (In-between belt widths on request)			
32	50	75	100

Preferred delivery: Rolls of 50 m.
Please specify shorter dimensions (cut to length) and lengths above 50 m separately.

Endless joined minimum length (V): 1000 mm

Available versions

- **TK10K13:** Standard
- **PAZ:** Nylon tooth facing
- **PAR:** Nylon facing on the back of the belt
- **PAZ-PAR:** Nylon facing on both sides
- **T, T-PAZ:** Transport backing

Cross section	Version T	Standard	Standard
			
K13	TK 1/2" K13-T	TK 1/2" K13	Self-guiding timing belt

Belt widths b [mm] (In-between belt widths on request)			
38,1	50,8	76,2	101,6
Imperial code			
150	200	300	400

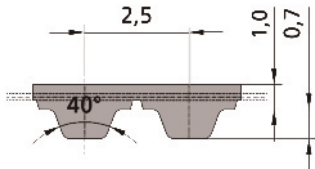

Preferred delivery: Rolls of 50 m.
Please specify shorter dimensions (cut to length) and lengths above 50 m separately.

Endless joined minimum length (V): 1000 mm

Available versions

- **TK1/2"K13:** Standard
- **PAZ:** Nylon tooth facing
- **PAR:** Nylon facing on the back of the belt
- **PAZ-PAR:** Nylon facing on both sides
- **T, T-PAZ:** Transport backing

T standard timing belts (M/V)

Standard	Standard
	
T 2,5	T-profile

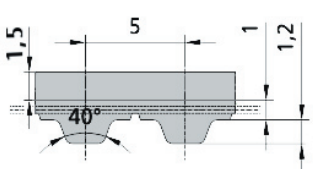
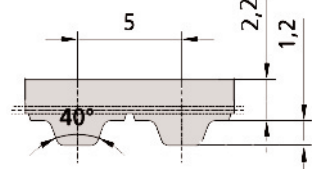
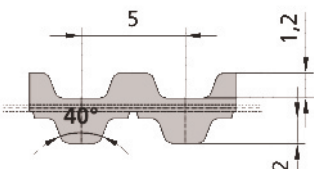
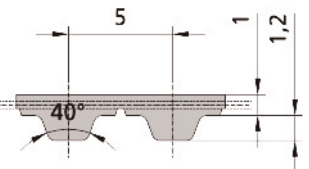
Belt widths b [mm] (In-between belt widths on request)		
8	10	20

Preferred delivery: Rolls of 50 and 100 m.
Please specify shorter dimensions (cut to length) and lengths above 100 m separately.

Endless joined minimum length (V): 350 mm

Available versions for T 2,5

- T 2,5: Standard

Version T	Reinforced back of the belt	Double sided	Standard
			
T 5-T	T 5-DR	T 5-DL	T 5

Belt widths b [mm] (In-between belt widths on request)						
6	10	16	25	32	50	75

Preferred delivery: Rolls of 50 or 100 m.
Please specify shorter dimensions (cut to length) and lengths above 100 m separately.

Endless joined minimum length (V) ($b_{min} = 10$ mm):

T5: 880 mm

T5-DL, T5-DR, T5-T: 1000 mm

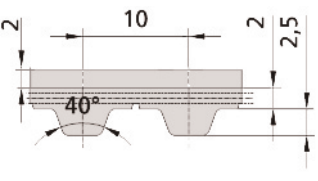
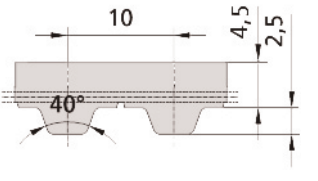
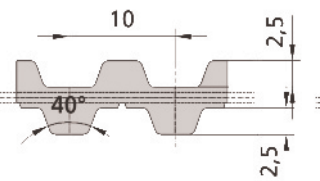
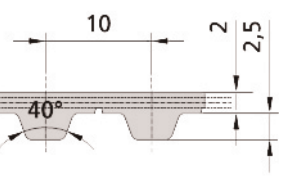
Available versions for T 5

- T 5: Standard, single-sided
- E: with E tension member
- DL: Standard, double-sided
- DL-E: double-sided with E tension member
- PAZ: Nylon tooth facing
- PAZ-E: Nylon tooth facing and E tension member

(Continuation available versions)

- **PAR:** Nylon facing on the back of the belt
- **PAZ-PAR:** Nylon facing on both sides
- **DL-PAZ:** Nylon facing on double-sided belts, coating is only possible on the inner side
- **DR, DR-PAZ:** Reinforced back of the belt, through 1.2 mm larger belt thickness
- **T, T-PAZ:** Transport backing, through 1.5 mm thicker back of the belt

T standard timing belts (M/V)

Version T	Reinforced back of the belt	Double sided	Standard
			
T 10-T	T 10-DR	T 10-DL	T 10

Belt widths b [mm] (In-between belt widths on request)						
16	25	32	50	75	100	150

Available versions for T 10

- **T 10:** Standard, single-sided
- **E:** with E tension member
- **DL:** Standard, double-sided
- **DL-E:** double-sided with E tension member
- **PAZ:** Nylon tooth facing
- **PAZ-E:** Nylon tooth facing and E tension member
- **PAR:** Nylon facing on the back of the belt

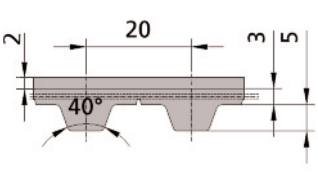
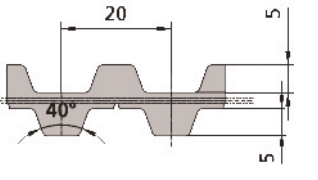
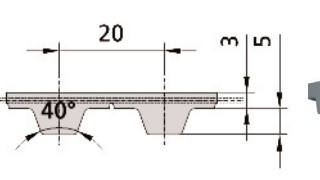

Preferred delivery: Rolls of 50 or 100 m.
Please specify shorter dimensions (cut to length) and lengths above 100 m separately.

Endless joined minimum length (V):

T10: 880 mm
T10-DL, T10DR, T10-T, b=150 mm: 1000 mm

(Continuation available versions)

- **PAZ-PAR:** Nylon facing on both sides
- **DL-PAZ:** Nylon facing on double-sided belts, coating is only possible on the inner side
- **DR, DR-PAZ:** Reinforced back of the belt, through 2 mm larger belt thickness
- **T, T-PAZ:** Transport backing, through 2 mm thicker back of the belt

Version T	Double sided	Standard	Standard
			
T 20-T	T 20-DL	T 20	T-profile

Belt widths b [mm] (In-between belt widths on request)					
25	32	50	75	100	150

Available versions for T 20

- **T 20:** Standard, single-sided
- **DL:** Standard, double-sided, $b_{max}=100$ mm
- **PAZ:** Nylon tooth facing
- **PAR:** Nylon facing on the back of the belt
- **PAZ-PAR:** Nylon facing on both sides

Preferred delivery: Rolls of 50 m.
Please specify shorter dimensions (cut to length) and lengths above 50 m separately.

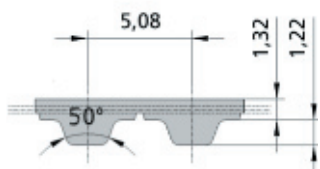

Endless joined minimum length (V):

T20: 1000 mm
T20-DL, T20-T, b=150 mm: 1200 mm

(Continuation available versions)

- **DL-PAZ:** Nylon facing on double-sided belts, coating is only possible on the inner side, $b_{max}=100$ mm
- **T, T-PAZ:** Transport backing, through 2 mm thicker back of the belt

Imperial timing belts (M/V)

Standard	Standard
	
T 1/5"	Imperial profile

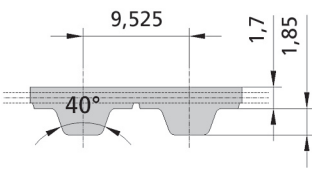
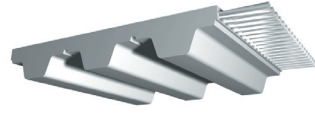
Belt widths b [mm] (In-between belt widths on request)					
6,35	7,94	9,53	12,7	19,1	25,4
Imperial code					
025	031	037	050	075	100

Preferred delivery: Rolls of 50 or 100 m.
Please specify shorter dimensions (cut to length) and lengths above 100 m separately.

Endless joined minimum length (V)
($b_{min}=7,94$ mm): 880 mm

Available versions for T 1/5"

- T1/5": Standard, single-sided
- PAZ: Nylon tooth facing
- PAR: Nylon facing on the back of the belt
- PAZ-PAR: Nylon facing on both sides

Standard	Standard
	
T 3/8"	Imperial profile

Belt widths b [mm] (In-between belt widths on request)					
9,53	12,7	19,1	25,4	38,1	50,8
Imperial code					
037	050	075	100	150	200

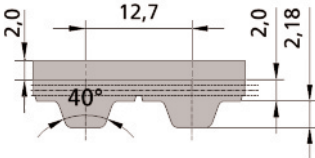
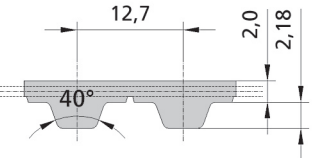

Preferred delivery: Rolls of 50 or 100 m.
Please specify shorter dimensions (cut to length) and lengths above 100 m separately.

Endless joined minimum length (V): 880 mm

Available versions for T 3/8"

- T3/8": Standard, single-sided
- PAZ: Nylon tooth facing
- PAR: Nylon facing on the back of the belt
- PAZ-PAR: Nylon facing on both sides

Imperial timing belts (M/V)

Version T	Standard	Standard
		
T 1/2"-T	T 1/2"	Imperial profile

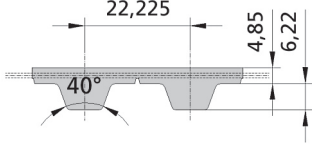

Belt widths b [mm] (In-between belt widths on request)							
12,7	19,1	25,4	38,1	50,8	76,2	101,6	152,4
Imperial code							
050	075	100	150	200	300	400	600

Preferred delivery: Rolls of 50 or 100 m.
Please specify shorter dimensions (cut to length) and lengths above 100 m separately.

Endless joined minimum length (V): 880 mm
b =152,5 mm: 1000 mm

Available versions for T 1/2"

- T1/2": Standard, single-sided
- PAZ: Nylon tooth facing
- PAR: Nylon facing on the back of the belt
- PAZ-PAR: Nylon facing on both sides
- T, T-PAZ: Transport backing, through 2 mm thicker back of the belt

Standard	Standard
	
T 7/8"	Imperial profile

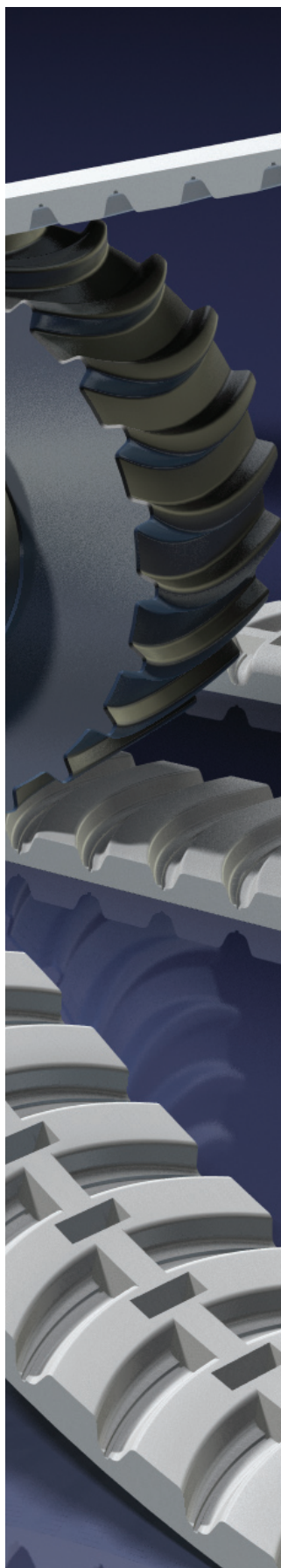
Belt widths b [mm] (In-between belt widths on request)		
50,8	76,2	101,6
Imperial code		
200	300	400

Preferred delivery: Rolls of 50 m.
Please specify shorter dimensions (cut to length) and lengths above 50 m separately.

Endless joined minimum length (V): 880 mm

Available versions for T 7/8"

- T7/8": Standard, single-sided
- PAZ: Nylon tooth facing
- PAR: Nylon facing on the back of the belt
- PAZ-PAR: Nylon facing on both sides



Our distribution partner

Germany

Anton Klocke Antriebstechnik GmbH & Co. KG

Senner Straße 151
D-33659 Bielefeld
Phone: +49 521 95005-01
Fax: +49 521 95005-11
www.klocke-antrieb.de
info@klocke-antrieb.de

Hilger und Kern GmbH Industrietechnik

Käfertaler Straße 253
D-68167 Mannheim
Phone: +49 621 3705-0
Fax: +49 621 3705-403
www.hilger-kern.com
antriebstechnik@hilger-kern.com

Reiff -Technische Produkte- GmbH

Tübinger Straße 2-6
D-72762 Reutlingen
Phone: +49 7121 323-313
Fax: +49 7121 323-318
www.reiff-tp.de
zahnriemen@reiff-tp.de

Roth GmbH & Co. KG

Andernacher Straße 14
D-90411 Nürnberg
Phone: +49 911 99521-0
Fax: +49 911 99521-70
www.roth-ing.de
roth-info@roth-ing.de

Walter Rothermundt GmbH & Co. KG

Am Tannenbaum 2
D-41066 Mönchengladbach
Phone: +49 2161 69462-0
Fax: +49 2161 6644-69
www.rothermundt.de
info@rothermundt.de

Wilhelm Herm. Müller GmbH & Co. KG

Heinrich-Nordhoff-Ring 14
D-30826 Garbsen
Phone: +49 5131 4522-0
Fax: +49 5131 4522-110
www.whm.net
info@whm.net

Switzerland

Angst + Pfister AG
Thurgauerstraße 66
CH-8052 Zürich
Phone: +41 (0) 1 306 61 11
Fax: +41 (0) 1 302 18 71
www.angst-pfister.com
ch@angst-pfister.com

Netherlands

Angst+Pfister B.V.
Boerhaavelaan 19
NL-2713 HA Zoetemeer
Phone: +31 7932037 00
Fax: +31 7932037 99
www.angst-pfister.com
nl@angst-pfister.com

Belgium

Angst+Pfister N.V.S.A.
Kleine Laan 26 c
B-9100 Sint-Niklas
Phone: +32 37780128
Fax: +32 37778398
www.angst-pfister.com
be@angst-pfister.com

Italy

Angst+Pfister SpA
Via Montefeltro 4
I-20156 Milano
Phone: +39 2 30087 1
Fax: +39 2 30087 100
www.angst-pfister.com
it@angst-pfister.com

Schweden

Aratron AB
Box 20087
S-16102 Bromma
Phone: +46 84041 600
Fax: +46 89842 81
www.aratron.se
info@aratron.se

Norway

ARATRON AS
Postboks 214 Holmlia
N-1204 Oslo
Phone: +47 231916 60
Fax: +47 231916 61
www.aratron.no
firmapost@aratron.no

France

Binder Magnetic
1, Allée des Barbanniers
F-92632 Gennevilliers-Cedex
Phone: +33 146 13 80 80
Fax: +33 146 13 80 99
www.binder-magnetic.fr
info@binder-magnetic.fr

Denmark

BONDY A/S
Hassellunden 14
DK-2765 Smørum
Phone: +45 70 15 14 14
Fax: +45 44 64 14 16
www.bondy.dk
info@bondy.dk

Spain

Dinámica Distribuciones S.A.
Ctra. No. II, km 592,6
E-08740 S. Andreu de la Barca
Phone: +34 93 6 53 35 00
Fax: +34 93 6 53 35 08
www.dinamica.net
dinamica@dinamica.net

Austria

Haberkorn Ulmer GmbH
Modecenterstraße 7
A-1030 Wien
Phone: +43 17 43 10 30-0
Fax: +43 17 43 10 29
www.haberkorn.com
zr@haberkorn.com

Portugal

J. Baptista + Ca. Lda.
Rua dos Vanzeleres 337
P-4100-484 Porto
Phone: +351-2-606-1600
Fax: +351-2-609-2053
www.jbaptista.pt
jbaptista@jbaptista.pt

Finland

Movetec Oy
Hannuksentie 1
FIN-02270 Espoo
Phone: +35 8 9 5259 230
Fax: +35 8 9 5259 2333
www.movetec.fi
info@movetec.fi

Great Britain

Transmission Developments Co. (G.B.) LTD
Dawkins Road, Hamworthy
GB-Poole Dorset BH15 4HF
Phone: +44 1 20 2 67 55 55
Fax: +44 1 20 2 67 74 66
www.transdev.co.uk
sales@transdev.co.uk

Czech Republic

W. H. Müller s.r.o.
Pražákova 39
CZ-61900 Brno
Phone: +420 543 211 008
Fax: +420 543 217 468
www.whm.cz
whm@whm.cz

Poland

Wilhelm Herm. Müller Polska Sp. z o.o.
ul. Solna 20
PL-85-862 Bydgoszcz
Phone: +48 52 349 07 15
Fax: +48 52 349 00 75
www.whm.pl
whm@whm.pl

USA

BRECOflex Co., L.L.C.
222 Industrial Way West
USA-Eatontown, NJ 07724
Phone: +1 732 460-9500
Fax: +1 732 542-6725
www.brecoflex.com
info@brecoflex.com